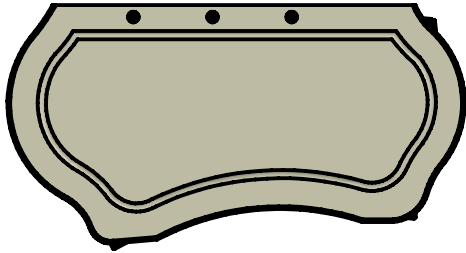
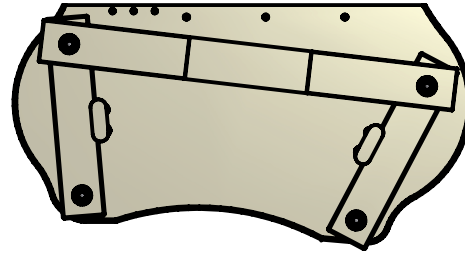


Newport Gliders Bearing Replacement Instructions

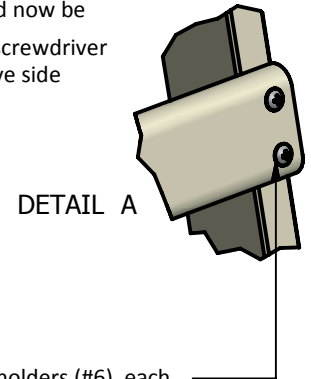
1. Remove the base from the chair by taking out the plugs & screws located on each side panel (6 plugs & 6 screws in all).



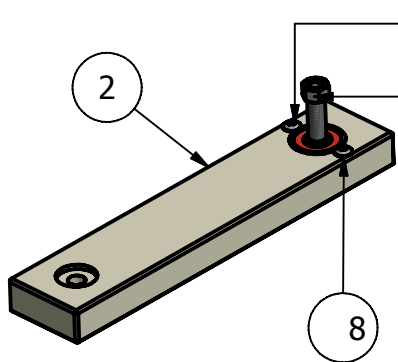
2. Using an impact air wrench with a 6 point socket, remove nylon locking nuts (#5) located on the inside of the base (4 on each side). Base may need to be brought to a local garage or tire center to remove/replace nylon locking nuts.



3. The side panels should now be able to be removed. Use a screwdriver to wedge if needed. Remove side panels from base.



4. There are two Bonhomme holders (#6), each having four screws (#7). Only remove two screws from each one, and on the same side.



5. Remove the screws (#8) holding the bearing in place.

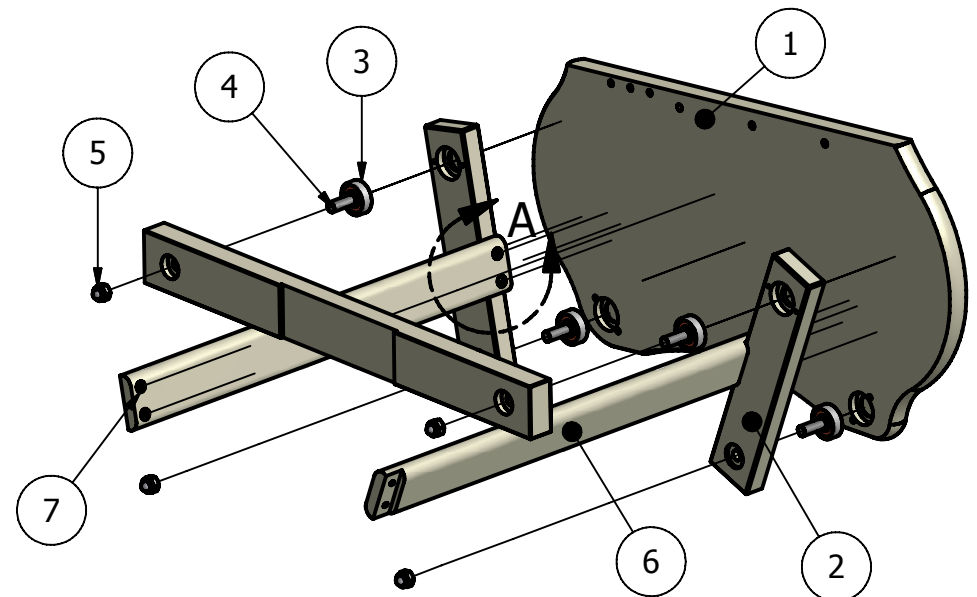
6. Re-attach the nylon locking nut (#6) to the bolt (#4) in the bearing (#3).

7. Using a type of pry-bar, gently push down on the bar & the bearing bit & the bolt will come out of the hole.

8. Using a socket and hammer, Place NEW bearing & bolt into place.

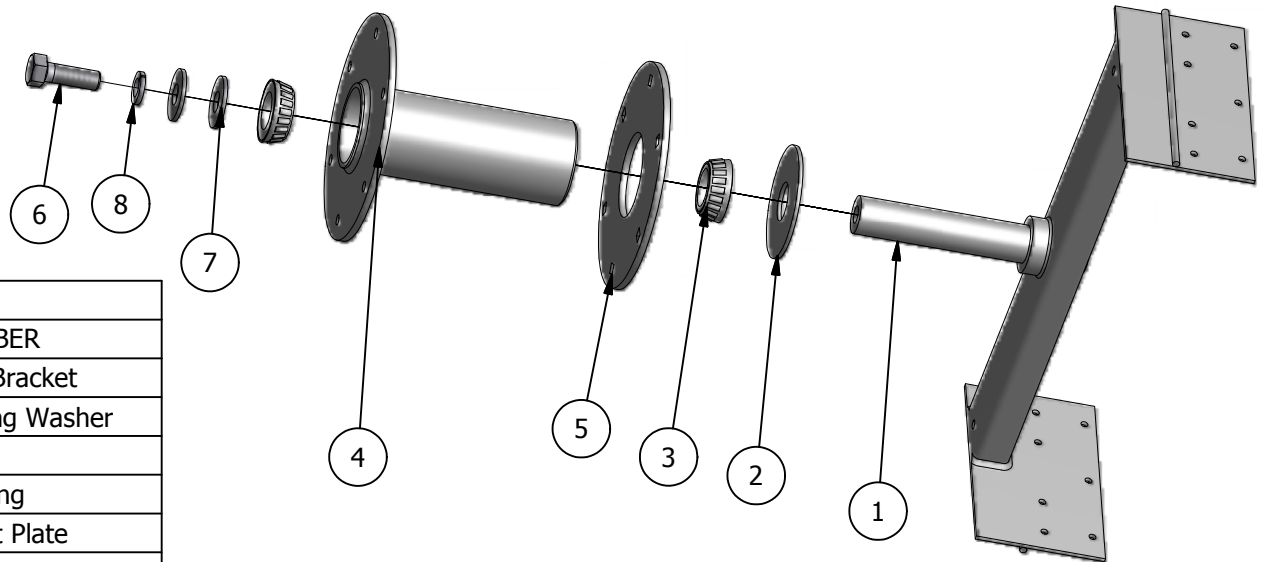
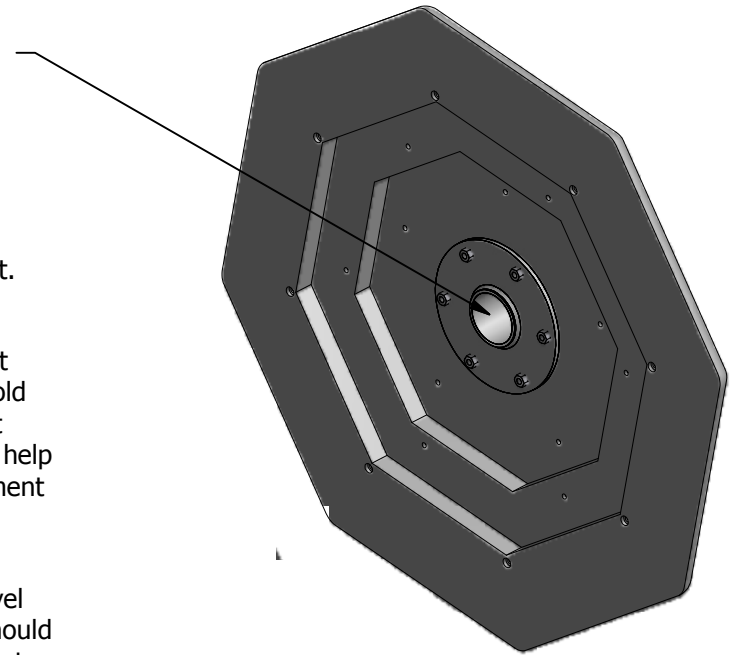
9. Replace the screws to hold the bearing into place (Repeat process for all bearings), then reassemble the base.

PARTS LIST	
ITEM	PART NUMBER
1	Side Panel
2	Bonhomme
3	Bearing
4	Bearing Bolt
5	Locking Nut
6	Bonhomme holder
7	Bonhomme holder screw
8	Truss Screw



Swivel Bearing Replacement Instructions

1. With chair laying on its back, using a 3/4" wrench or socket, remove 1/2" bolt, lock washer and flat washers (#6,#7 and #8 on Parts list). 1/2" bolt is located on the bottom of hex base.
2. With 1/2" bolt and washers removed, hex base can be pulled off, leaving chair attached to swivel bearing seat bracket (#1).
3. First swivel bearing is seated directly beneath 1/2" flat washer (#7), inside swivel bearing housing(#4). You can use a flat head screwdriver to pry old bearing out and apply the replacement.
4. Second swivel bearing will most likely be still attached to the shaft on the swivel bearing seat bracket above swivel bearing seating washer(#2). Shaft should be cleaned and lubricated before removing old bearing and applying the replacement. WD-40 works well to clean and lubricate and can be found at your local hardware store. If bearing is seized to the shaft, heating it with a small propane torch will help loosen it. Use a flat head screwdriver or small pry bar to pry old bearing off the shaft. Slide replacement bearing on the shaft with tapered end up towards hex base. Be sure to lubricate the shaft where bearing seats against the swivel bearing seating washer before applying replacement.
5. Re-attach the hex base to the chair. Second swivel bearing will seat inside the top of the of the swivel bearing housing which is still attached to the hex base. Re-apply 1/2" bolt and washers. 1/2" bolt should be torqued at 20 pounds with a torque wrench. Over torquing the bolt will cause bearings to wear out prematurely and will not allow chair to swivel properly.



Parts List

ITEM	QTY	PART NUMBER
1	1	Swivel Bearing Seat Bracket
2	1	Swivel Bearing Seating Washer
3	2	Swivel Bearing
4	1	Swivel Bearing Housing
5	1	Hex Base Attachment Plate
6	1	1/2" Hex Head Bolt
7	2	1/2" Flat Washer
8	1	1/2" Lock Washer